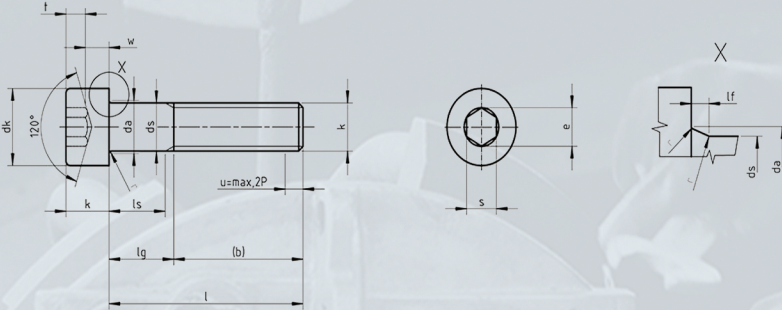


# DIN912\_ALLEN CAP



Property Class	Stainless Steel
	A2 & A4
Finish	Plain
Thread Toleranc	6g

Thread d	P	b	dk			da	ds		e	h	k		r	s		t	v	dw	w	
			max.	max. for grooved head	min.	max.	max.	min.	min.	max.	max.	min.	min.	nomina l	max.	min.	min.	max.	min.	min.
M1.6	0.35	15.00	3.00	3.14	2.86	2.00	1.60	1.46	1.73	0.34	1.60	1.46	0.10	1.50	1.56	1.52	0.70	0.16	2.72	0.55
M2	0.40	16.00	3.80	3.98	3.62	2.60	2.00	1.86	1.73	0.51	2.00	1.86	0.10	1.50	1.56	1.52	1.00	0.20	3.48	0.55
M2.5	0.45	17.00	4.50	4.68	4.32	3.10	2.50	2.36	2.30	0.51	2.50	2.36	0.10	2.00	2.06	2.02	1.10	0.25	4.18	0.85
M3	0.50	18.00	5.50	5.68	5.32	3.60	3.00	2.86	2.87	0.51	3.00	2.86	0.10	2.50	2.58	2.52	1.30	0.30	5.07	1.15
M4	0.70	20.00	7.00	7.22	6.78	4.70	4.00	3.82	3.44	0.60	4.00	3.82	0.20	3.00	3.08	3.02	2.00	0.40	6.53	1.40
M5	0.80	22.00	8.50	8.72	8.28	5.70	5.00	4.82	4.58	0.60	5.00	4.82	0.20	4.00	4.095	4.02	2.50	0.50	8.03	1.90
M6	1.00	24.00	10.00	10.22	9.78	6.80	6.00	5.82	5.72	0.68	6.00	5.70	0.25	5.00	5.14	5.02	3.00	0.60	9.38	2.30
M8	1.25	28.00	13.00	13.27	12.73	9.20	8.00	7.78	6.86	1.02	8.00	7.64	0.40	6.00	6.14	6.02	4.00	0.80	12.33	3.00
M10	1.50	32.00	16.00	16.27	15.73	11.20	10.00	9.78	9.15	1.02	10.00	9.64	0.40	8.00	8.175	8.03	5.00	1.00	15.33	4.00
M12	1.75	36.00	18.00	18.27	17.73	13.70	12.00	11.73	11.43	1.87	12.00	11.57	0.60	10.00	10.175	10.025	6.00	1.20	17.23	4.80
(M14)	2.00	40.00	21.00	21.33	20.67	15.70	14.00	13.73	13.72	1.87	14.00	13.57	0.60	12.00	12.212	12.032	7.00	1.40	20.17	5.80
M16	2.00	44.00	24.00	24.33	23.67	17.70	16.00	15.73	16.00	1.87	16.00	15.57	0.60	14.00	14.21	14.03	8.00	1.60	23.17	6.80
M20	2.50	52.00	30.00	30.33	29.67	22.40	20.00	19.67	19.44	2.04	20.00	19.48	0.80	17.00	17.23	17.05	10.00	2.00	28.87	8.60
M24	3.00	60.00	36.00	36.39	35.61	26.40	24.00	23.67	21.73	2.04	24.00	23.48	0.80	19.00	19.28	19.07	12.00	2.40	34.81	10.40
M30	3.50	72.00	45.00	45.39	44.61	33.40	30.00	29.67	25.15	2.89	30.00	29.48	1.00	22.00	22.07	22.28	15.50	3.00	43.61	13.10
M36	4.00	84.00	54.00	54.46	53.54	39.40	36.00	35.61	30.85	2.89	36.00	35.38	1.00	27.00	27.28	27.07	19.00	3.60	52.54	15.30

\*All dimensions are in mm

\*All the data are for informative purpose only.

\* Fully threaded length items are in ready stock.

