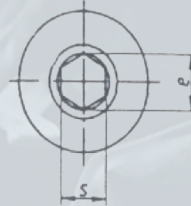
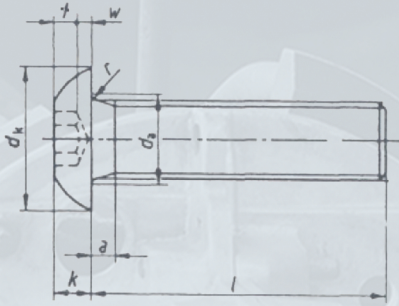


ISO7380_BUTTON HEAD



Property Class	Stainless Steel
	A2 & A4
Finish	Plain
Thread Tolerance	6g

d	Pitch	a		da	dk		e		k		s		t	w
		Min.	Max.	Max.	Min.	Max.	Min.	Min.	Max.	Min.	Max.	Min.	Min.	
M3	0.5	0.5	1.0	3.6	5.4	5.7	2.3	1.40	1.65	0.1	2.020	2.080	1.04	0.2
M4	0.7	0.7	1.4	4.7	7.24	7.60	2.87	1.95	2.20	0.2	2.520	2.580	1.3	0.3
M5	0.8	0.8	1.6	5.7	9.14	9.50	3.44	2.50	2.75	0.2	3.020	3.080	1.56	0.38
M6	1	1	2	6.8	10.07	10.50	4.58	3.0	3.3	0.25	4.020	4.095	2.08	0.74
M8	1.25	1.25	2.5	9.2	13.57	14.00	5.72	4.1	4.4	0.4	5.020	5.140	2.6	1.05
M10	1.5	1.5	3.0	11.2	17.07	17.50	6.86	5.2	5.5	0.4	6.020	6.140	3.12	1.45
M12	1.75	1.75	3.5	13.7	20.48	21.00	9.15	6.24	6.60	0.6	8.025	8.175	4.16	1.63
M16	2	2	4	17.7	27.48	28.00	11.43	8.44	8.80	0.6	10.025	10.175	5.2	2.25

* All dimensions are in mm.

* All data are for informative purpose only.

